

CHERRY MW 4500 LEFT

M/N.: JW-45L

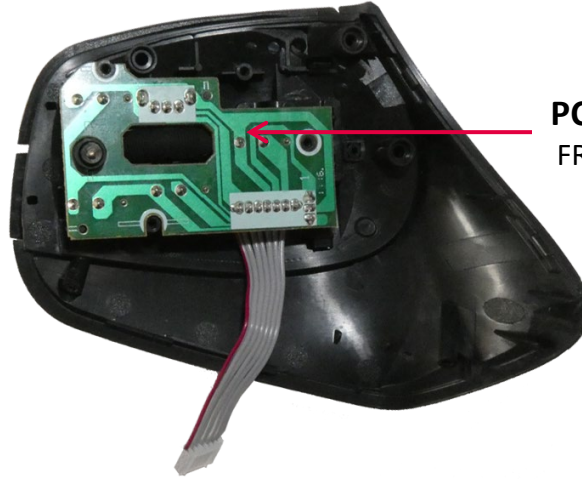
PRODUCT RECYCLING INFORMATION

TOP ENCLOSURE



TOP COVER RIGHT

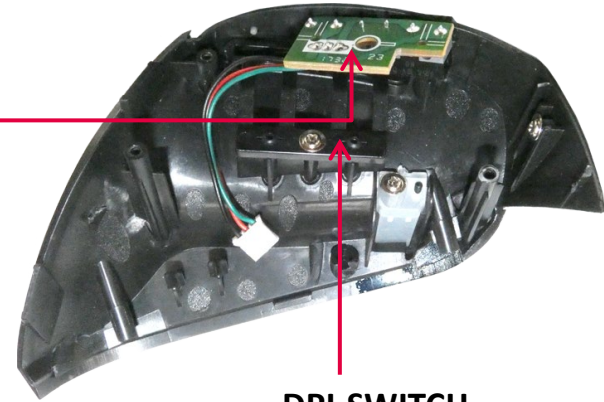
ABS



PCB
FR4

TOP COVER LEFT

ABS



DPI-SWITCH
ABS

SENSOR-LENS USB-RECEIVER

PC



POWER SWITCH

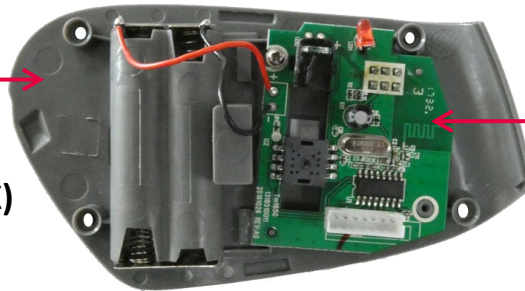
ABS

BOTTOM

ABS

GLIDE PAD (4X)

Teflon



PCB
FR4

BATTERY COVER

ABS



CHERRY GmbH, 91275 Auerbach, Germany

Errors, technical changes and delivery options excepted.
Technical information refers only to the specifications of the products.
Features may differ from the information provided. Actual products and colors may vary from image shown.

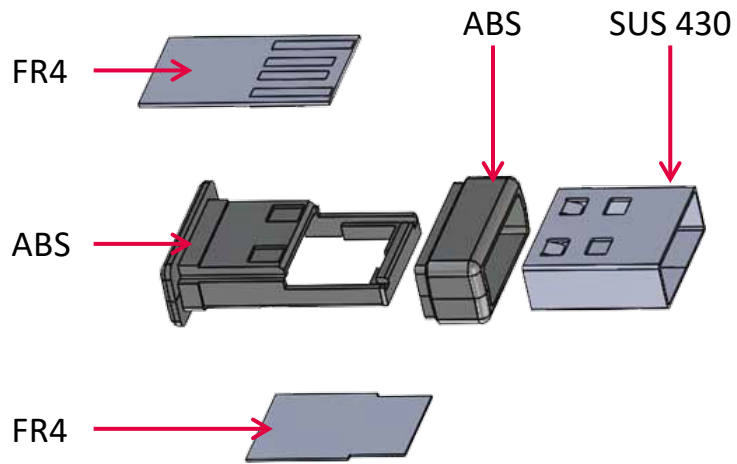
CHERRY MW 4500 LEFT

M/N.: JW-45L

PRODUCT RECYCLING INFORMATION

USB RECEIVER

PCB



CHARGING CABLE

PCB

